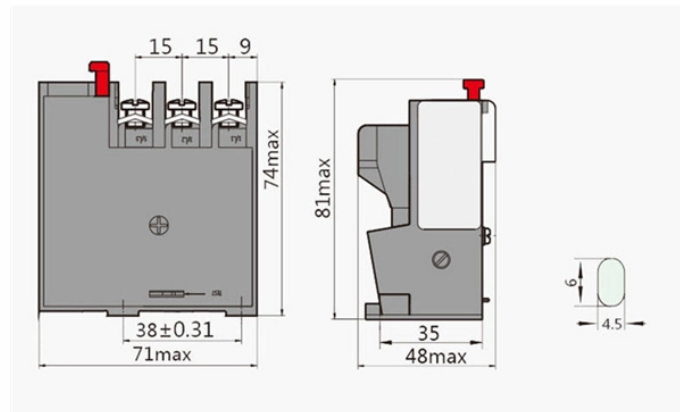


Indzawo Optic Connect

200x600 Cable tray bend



200x600 Cable tray bend



Cable Tray Fitting, 90° Junction Kit. Material: Carbon Steel. Finish: Electroplated Zinc. Includes: (1) Hardware for (1) Tee (2) 90° Bends.



Calculate the minimum required bend radius by multiplying the cable's outside diameter by its bending factor (e.g., 10x for multicore). Then, select a standard tray fitting (300mm, 450mm, etc.) that ...



Heavy Duty 90 Degree External Bend 600mm Galvanised £ 94.19 ex. VAT - £ 113.03 inc. VAT
Heavy Duty 90 Degree External Bend 75mm £ 21.89 ex. VAT - £ 26.27 inc. VAT
Heavy Duty 90 Degree Flat ...



The Ladder Tray features light, rugged, tubular steel construction. It is designed for mechanical support and strain relief in long runs of cable and creates a smooth gradual bend for cable. Rail and stringer ...



Mesh cable trays, screw connection fittings - Mesh cable tray bends.



Guide for making bends, tees, crosses, risers and reducers from straight sections of wire basket cable trays live at the project.



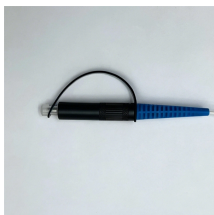
HellermannTytonGÇÖs low voltage raceway (TSR) is a one piece, non-metallic, adhesive backed, latching raceway designed to aesthetically organize and route communications wires, including high ...



Cablobend Systems give you the freedom for true cable tray flexibility. Create bends and drops that you need—without cutting. Perfect for data centers.



Each bend is precision-engineered to fit perfectly with cable tray systems, ensuring smooth cable routing while minimizing stress on wires. These bends are essential for creating efficient and organized ...



We offer a variety of cable tray flat bends available for light, medium, and heavy duty cable tray systems in varying sizes to suit your requirements.

Contact Us

For more information, pricing, or custom solutions, please contact us:

Website: <https://indzawo.co.za>

Email: sales@indzawo.co.za

Phone: +27 71 296 8473

Address: 22 Quantum Street, Midrand, 1685, Gauteng, South Africa

This document is for informational purposes only. Specifications subject to change without notice.

