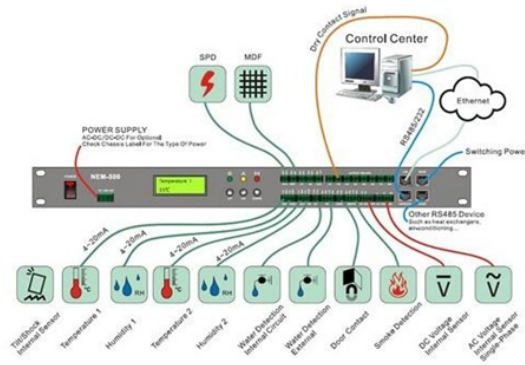


## Bahamas Single-Mode Indoor Optical Cable Supply



## Bahamas Single-Mode Indoor Optical Cable Supply



Our team excels in delivering multi and single mode splicing, ensuring seamless connections that stand the test of time. We design and construct both external and internal fiber networks, tailored to meet ...



Shop our diverse range of bulk fiber optic cables, tailored for various networking needs. We provide both single-mode and multimode options, catering to different distances, applications, and equipment ...



Quality indoor single mode fiber cable 2 core for Bahamas cabling systems integration - find quality Indoor Fiber Optic Cable, Communication Cables & Indoor Fiber Optic Cable from Shenzhen Necero ...



We provide a competitive edge for your business. Our goal is to support you in enhancing your operation and help you to build a strong infrastructure. Let's ...



Belden's extensive line of indoor and outdoor cable products is offered in tight buffer and loose tube designs. Armored, burial, and ruggedized designs are suited to a host of industrial environments.



Experience seamless, rapid installations with our versatile indoor/outdoor ribbon fiber cable. Ideal for high-density data centers, colocation facilities and vertical backbones.



Home > Products > Communications > Fiber Optic Cabling Infrastructure > Indoor Fiber Optic Cable  
Indoor Fiber Optic Cable



Singlemode fibers are designed to carry a single ray of light (or mode) and are commonly used for long-distance applications due to their lower attenuation and ability to operate at higher speeds.



Fiber Optic Cable, Tight Buffer, Single-Mode, 6 Strand, 8.3/125, Corning glass, OFNP, Plenum, Indoor/Outdoor, dry, super absorbent polymers eliminate water migration ...



Our program meets diverse fiber optic sourcing and fulfillment needs with over 200 SKUs of unique fiber optic cable types from leading manufacturers, including Corning glass options on master reels.



We provide a competitive edge for your business. Our goal is to support you in enhancing your operation and help you to build a strong infrastructure. Let's Talk... We are ready to work with you. Contact us ...

## Contact Us

For more information, pricing, or custom solutions, please contact us:

Website: <https://indzawo.co.za>

Email: [sales@indzawo.co.za](mailto:sales@indzawo.co.za)

Phone: +27 71 296 8473

Address: 22 Quantum Street, Midrand, 1685, Gauteng, South Africa

This document is for informational purposes only. Specifications subject to change without notice.

