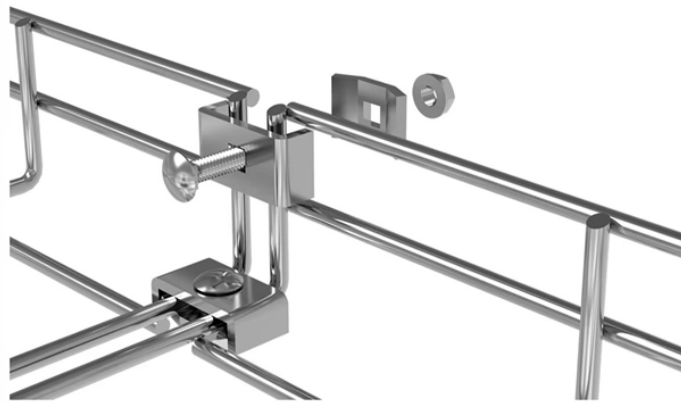


# Bandwidth of a 10G optical module



## Overview

The 10G-SFP-ZR optical module has a high bandwidth of 10Gbps; it follows the 10GBASE-ZR standard and is suitable for Ethernet, Fibre Channel and other network protocols; with the advancement of technology and the maturity of the production process, the BER is optimised to less than. The 10G-SFP-ZR optical module has a high bandwidth of 10Gbps; it follows the 10GBASE-ZR standard and is suitable for Ethernet, Fibre Channel and other network protocols; with the advancement of technology and the maturity of the production process, the BER is optimised to less than. SR Cisco SFP+ modules are widely used to enable 10GbE short-range optical connectivity over multimode fiber in data center networks. Based on the 10GBASE-SR standard, these modules operate at 850nm and are optimized for high-bandwidth links between servers, switches, and storage systems within the. Cisco's family of 10-Gbps symmetrical passive optical network (XGS-PON) Optical Network Terminals (ONTs) delivers flexible, high-performance broadband connectivity for a wide range of fiber-to-the-premises use cases, including residential spaces, Multidwelling Units (MDUs), Small Office/Home Office. In optical communication, SR and LR SFP modules are among the most widely used

solutions, mainly distinguished by their transmission distance, wavelength, and the type of fiber they require. When comparing short-range and long-range options, the choice depends heavily on deployment environments. SR. Our 10G BiDi SFP+ Optical Transceivers Modules deliver full 10 Gb/s over a single strand of single-mode fiber, halving fiber count and simplifying cable management. Operating at an 850nm wavelength, it is designed for short-range data transmission, making it ideal for data centers, enterprise networks, and storage area networks. You can use different levels of 10 Gbit/s XFP optical modules with OC-192/STM-64 POS interfaces and 10 GE interfaces.

## Bandwidth of a 10G optical module



The SFP-10G-ZR optical module offers 10G data rate, 1550nm wavelength, and 80km reach, perfect for long-haul telecom and enterprise network solutions.



The optic can transmit data over distances of up to 300 meters with OM3 multimode fiber and up to 400 meters with OM4 fiber, providing flexibility for short-range, ...



In this guide, we dive into Fibrecross's portfolio of 10G SFP+ Optical Transceivers, explain how BiDi optics work, compare module options, and share best practices for deployment.



The optic can transmit data over distances of up to 300 meters with OM3 multimode fiber and up to 400 meters with OM4 fiber, providing flexibility for short-range, high-bandwidth applications.



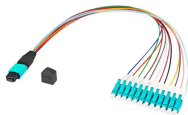
Understand short-range and long-range 10G optical modules in terms of distance, budget, energy use, and scalability to make the right choice.



You can use different levels of 10 Gbit/s XFP optical modules with OC-192/STM-64 POS interfaces and 10 GE interfaces. The wavelength of these 10 Gbit/s XFP optical modules can be 850 ...



Based on the 10GBASE-SR standard, these modules operate at 850nm and are optimized for high-bandwidth links between servers, switches, and storage systems within the same facility.



Overview Arista's Optical Modules and Cable portfolio offer a wide variety of high-density and low-power 800G (dual 400G), 400G, 200G, 100G, 50G, 40G, 25G, 10G, 1G, and 100M Ethernet connectivity ...



Cisco 10G Routed PON ONTs are compliant with the N2 optical link budget per the ITU-T G.9807.1 standard at up to a 1:64 split ratio over links spanning up to 20 kilometers.



The Cisco 10GBASE-SR module supports a link length of 26 meters on standard Fiber Distributed Data Interface (FDDI)-grade multimode fiber (MMF). Using 2000 MHz\*km MMF (OM3), up to 300-meter ...



The SFP-10G-ZR optical module offers 10G data rate, 1550nm wavelength, and 80km reach, perfect for long-haul telecom and enterprise network solutions.



These modules support a data transmission rate of 10 Gbps and typically use LC duplex connectors for fiber connections. Designed for use with single-mode fiber, 10GBASE-LR modules ...

## Contact Us

For more information, pricing, or custom solutions, please contact us:

Website: <https://indzawo.co.za>

Email: [sales@indzawo.co.za](mailto:sales@indzawo.co.za)

Phone: +27 71 296 8473

Address: 22 Quantum Street, Midrand, 1685, Gauteng, South Africa

This document is for informational purposes only. Specifications subject to change without notice.

