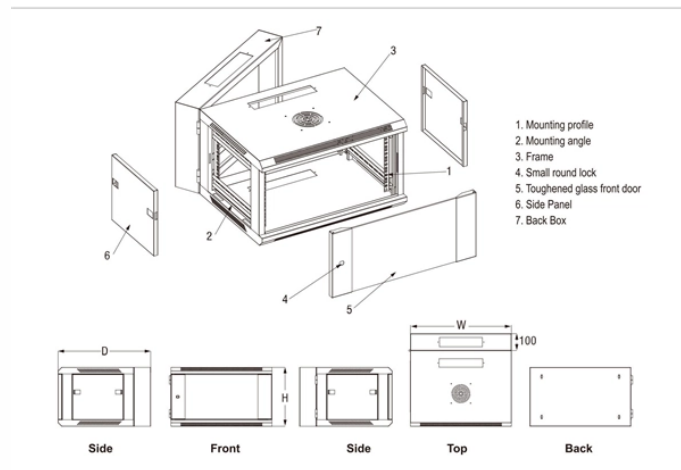


Basic Cutting Methods for Cable Trays



Basic Cutting Methods for Cable Trays



When fitting cable trays and their accessories, the products are cut on site to create changes of direction, adjust sections, etc. Damage can also occur during handling; as a result, both the ...



i am trying to learn how to accurately measure and cut cable tray and trunking to be able to fabricate my own angles. both of these items come in 3 ...



The document provides instructions for forming various bends and joints in electrical trunking and cable trays. It describes: 1) How to mark and cut a right-angle ...



The document provides instructions for forming various bends and joints in electrical trunking and cable trays. It describes: 1) How to mark and cut a right-angle internal bend in a section of trunking, ...



- The steps for installing cable trays, which include marking, cutting, drilling holes, installing supports, and fixing fittings and accessories. - Common tools used for cable tray installation like saws, drills, ...



Hilti's cordless bandsaw is an appropriate tool for cutting low height, thin metal products such as cable ladders and trays and support channels. Accurate cutting is achieved with low noise and debris.



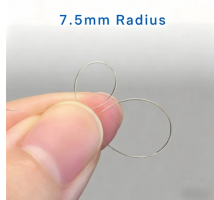
i am trying to learn how to accurately measure and cut cable tray and trunking to be able to fabricate my own angles. both of these items come in 3 metre lengths and can be cut with a hacksaw.



This guide aims to provide clear, step-by-step instructions and safety tips to ensure you can cut cable trays efficiently and safely, maintaining your system's integrity and compliance with ...



Use this guide to learn the most effective installation practices when installing Cablofil tray. Each example of bends and tee's clearly illustrate proper tray cutting combined with recommended usage ...



This procedure to clear the method of the supply, installations Cable Tray and Trunking System for the project.



Guide for making bends, tees, crosses, risers and reducers from straight sections of wire basket cable trays live at the project.



In this video, we'll cover the essential steps of marking and cutting cable trays. We'll explore: 1. Measuring and marking: Accurate measurement and marking techniques for cable...

Contact Us

For more information, pricing, or custom solutions, please contact us:

Website: <https://indzawo.co.za>

Email: sales@indzawo.co.za

Phone: +27 71 296 8473

Address: 22 Quantum Street, Midrand, 1685, Gauteng, South Africa

This document is for informational purposes only. Specifications subject to change without notice.

