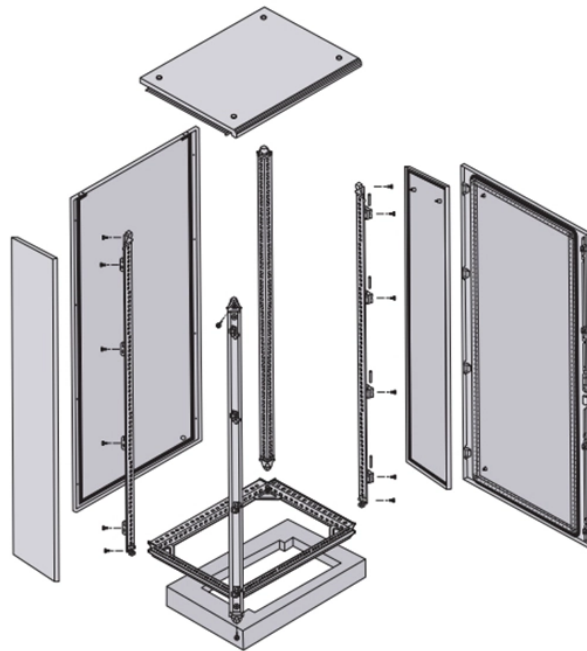


Cable tray bend construction techniques



Overview

Watch how a professional fabricator bends a ladder cable tray with precision using the right tools and expert techniques. This step-by-step fabrication process shows how cable trays are shaped perfectly to fit electrical installations in industrial and commercial. Hubbell Take Off Support provides the contractor, engineer, end user a completed BOM, including all related products, counts, symbol legends and information required to price a project. more Watch how a. Is your cable tray system optimized for safety, dependability, space and cost savings?

Cable tray (or cable ladder) systems are a popular alternative to electrical conduit systems, as they have an outstanding record for dependable service, design flexibility and cost savings in commercial and. allation time is key. No connection compone using a screwdriver. Only two splices are required to. Cable management is a crucial consideration of the physical infrastructure for optimizing system reliability, effective space utilization, and scalability. Panduit offers industry-leading cable routing systems as part of comprehensive, integrated data center solutions to effectively manage and.

The bends, tees, crosses, risers and reducers of wire mesh cable tray can be easily and quickly made live at the project by using a bolt cutter. Since the jaws of the bolt cutter drags a layer of zinc across the cut end and forms a protective layer.

Cable tray bend construction techniques



Students trading aid on how best to put an internal 90 degrees bend in steel cable tray. Includes a full demonstration on how bend steel cable tray using a C...



The Ladder Tray features light, rugged, tubular steel construction. It is designed for mechanical support and strain relief in long runs of cable and creates a smooth gradual bend for cable.



Our wind certification report provides you with list of acceptable B-Line series cable tray supports, fittings and covers based off of the environmental conditions, cable loading, and type of cable tray in your ...



The document provides instructions for forming various bends and joints in electrical trunking and cable trays. It describes: 1) How to mark and cut a right-angle ...



The document provides instructions for forming various bends and joints in electrical trunking and cable trays. It describes: 1) How to mark and cut a right-angle internal bend in a section of trunking, ...



The Wire Basket Overhead Cable Tray Routing System is composed of pathways, splices, mounting brackets, and accessories that allow the system to be configured for a wide range of applications and ...



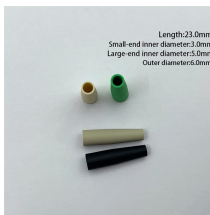
It is possible to buy bends of different radius for the same width of tray. For example for the same 6" width of tray: bends are available in radius of 12", 24", 36", and 48".



A single length of cable ladder, cable tray or channel mounted on, but not restrained by two supports, represents a simply supported beam (Figure 2a), which will bend as any load is applied to it with the ...



Watch how a professional fabricator bends a ladder cable tray with precision using the right tools and expert techniques. This step-by-step fabrication process shows how cable trays are...



How to construct a flat 90° bend for Cable Trays
December 9, 2024 The first step is to mark out the tray (A). Construction of a flat 90° bend (A) The amount of tray lip to be removed is ...



Guide for making bends, tees, crosses, risers and reducers from straight sections of wire basket cable trays live at the project.



Bend side wires on both sides of the tray and reassemble using adjustable clamps to attach side rail edge and universal splices to attach tray bottoms. To form a horizontal cross, proceed in the same ...

Contact Us

For more information, pricing, or custom solutions, please contact us:

Website: <https://indzawo.co.za>

Email: sales@indzawo.co.za

Phone: +27 71 296 8473

Address: 22 Quantum Street, Midrand, 1685, Gauteng, South Africa

This document is for informational purposes only. Specifications subject to change without notice.

