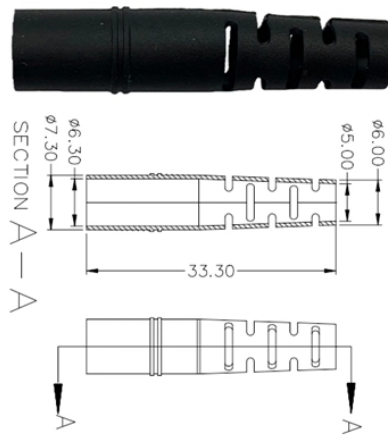


Cold Storage Electrical Distribution Box phr



Cold Storage Electrical Distribution Box phr



During the installation of a cold storage, the operation of the cold storage distribution box is of great importance. However, most people are not well - versed in its normal operation. Let's take ...



An important consideration of the guide is how to ensure effective cooling in situations of limited, unreli-able power supply and off-grid where no grid power is available at all, focusing on distributed ...



In recent years, we have seen some positive results applying this approach to cold storage and or automated cold storage facilities. In some cases, it requires a variance and in other cases, it can be ...



It covers general requirements, contractor responsibilities, compliance with industry codes, and detailed installation procedures for various electrical systems.



Energy efficient, large refrigeration units for retail & warehouse. Proven reliability for commercial refrigeration applications. Highly reliable ice machines with maximum cooling efficiency. Industry ...



In this paper, a test was conducted to investigate the effects of HTA, APOR and AOP on temperature elevating rate and temperature standard deviation to assess the cold energy release ...



The heating cable in this case is located below the main floor insulation of the cold storage, typically in the sand backfill or in concrete screed. For safety reasons: two identical parallel heating systems ...



What makes cold storage buildings unusual is the significant difference in water vapor pressure between the building interior and the exterior, which can result in a large vapor drive through the building ...



Understand distribution boxes (DB boxes) in 5 minutes. Learn about types, components, functions, and uses. Find the perfect DB box for your needs.



Learn about cold box installation, operation, and maintenance. This manual covers components, procedures, testing, and safety.

Contact Us

For more information, pricing, or custom solutions, please contact us:

Website: <https://indzawo.co.za>

Email: sales@indzawo.co.za

Phone: +27 71 296 8473

Address: 22 Quantum Street, Midrand, 1685, Gauteng, South Africa

This document is for informational purposes only. Specifications subject to change without notice.

