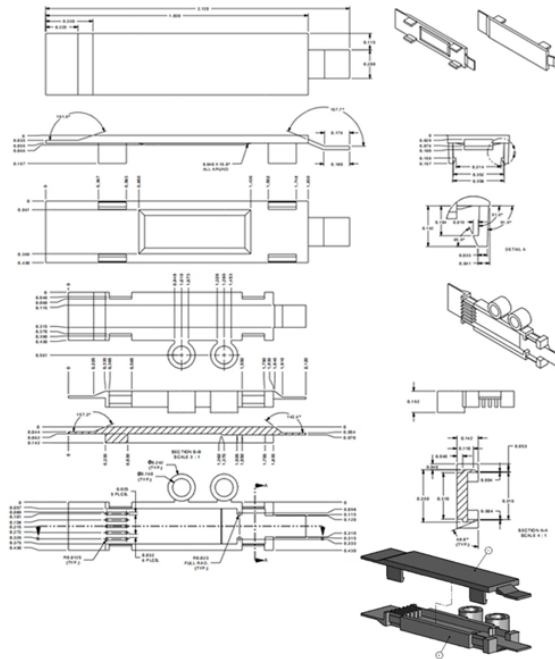


Compatible 100G Optical Receiver Supplier in Uzbekistan



Overview

We provide high-quality OEM-compatible optical transceivers and cables that are rigorously tested for performance and compatibility with leading networking equipment. Manufactured in our class-100k dust-free workshops in Wuhan, we bring you direct-from-factory pricing without compromising on rigorous quality control. Engineered for enterprise networks and. Copyright © 2022 GOC-UZ. The 100G BIDI QSFP28 optical transceiver (also called a 100G QSFP28 BIDI module or 100G QSFP28 single fiber transceiver) is a high-performance optical module that sends and receives 100Gigabit Ethernet (100 GbE) traffic over a single strand of single-mode fiber (SMF). Using bidirectional Wavelength. QSFP28 is a newly popular transceiver form factor defined by SFF Committee SFF-8636 and SFF-8665. As the upgraded version of QSFP+, it supports a higher speed of 100G or 112G. The module converts 4 input channels of 25Gb/s electrical data to 4 channels of LAN WDM optical signals and then multiplexes them into a single channel for 100Gb/s optical.

Compatible 100G Optical Receiver Supplier in Uzbekistan



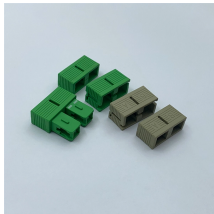
Shop high-speed optical transceivers from Unitekfiber. We offer 100% compatible 40G, 100G, and 400G QSFP-DD modules for data centers. Expert technical ...



We provide high-quality OEM-compatible optical transceivers and cables that are rigorously tested for performance and compatibility with leading networking equipment.



Source premium optical transceivers (1G to 800G) direct from our Wuhan factories. 100% brand compatible, OEM custom options, and rigorous quality testing.



Optcore 100G QSFP28 provides 100GBASE-SR4, IR4, LR4, ER4, ZR4, PSM4, DR, FR, and BiDi variants. Save up to 80%, Fast Shipping, 3-Year Warranty.



To facilitate deployment in a wide variety of edge network locations, including street cabinets or pole mount enclosures, the 100G ZR QSFP28-DCO module will also be offered in a version that supports ...



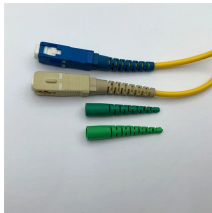
Shop high-speed optical transceivers from Unitekfiber. We offer 100% compatible 40G, 100G, and 400G QSFP-DD modules for data centers. Expert technical support & wholesale pricing.



ADDRESS: Industrial zone "A", FEZ "Jizzakh", Jizzakh, Uzbekistan Main Office: Tel: +998-55-1517777 Email: info@goc-uz.uz CUSTOMER CARE: Industrial zone "A", FEZ "Jizzakh", Jizzakh, Uzbekistan ...



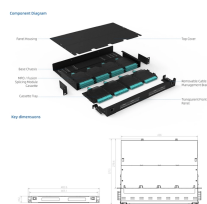
The 100G BIDI QSFP28 optical transceiver (also called a 100G QSFP28 BIDI module or 100G QSFP28 single fiber transceiver) is a high-performance optical module that sends and receives 100Gigabit ...



With these features, this easy to install, hot swappable transceiver is suitable to be used in various applications, such as 100G telecom connections, data center, high-performance computing networks, ...



Universal coherent tunable QSFP28 Transceiver Compliant to 100GBase-ZR Use FLEXBOX to configure to almost any vendor For 100GBASE-ZR Ethernet links Set ...



The SULITON fiber optic sfp 100g provides an excellent solution for high reliability, lower power consumption and excellent EMI performance allow system design with high port density. This ...



With these features, this easy to install, hot swappable transceiver is suitable to ...

Contact Us

For more information, pricing, or custom solutions, please contact us:

Website: <https://indzawo.co.za>

Email: sales@indzawo.co.za

Phone: +27 71 296 8473

Address: 22 Quantum Street, Midrand, 1685, Gauteng, South Africa

This document is for informational purposes only. Specifications subject to change without notice.

