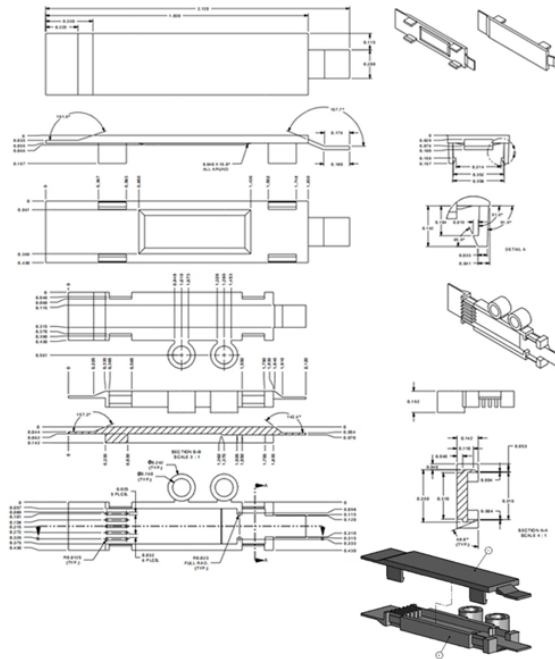


Debugging Integrated Container Desktop



Overview

While Docker BuildKit is quick and resilient, you can encounter errors that prevent image build completion. To learn why, run the following command to view each sequential build stage: BuildKit will provide readable context for each step and display any errors that occur: If you see a missing file or directory error like the one above, don't worry!. Say we have an image downloaded from Docker Hub — any image at all — and use some variation of the docker run command to run it. The resulting container will be running the default command. If you want to surface that command, entering docker container ls --all will grab a list of containers with their respective commands. Users often copy these com. By following best practices, any active application running within a Docker container will produce log outputs. While you might view logging as a problem-catching mechanism, many running containers don't experience issues. Akos believes it's important to understand how normal log entries look. As a result, identifying abnormal log entries

becomes t. When running applications, you'll need to run executable files within your container. The ENTRYPOINT portion of your Dockerfile sets the main command within a container and basically assigns it a task. These ENTRYPOINT instructions rely on executable files being in the container. In Ákos' example, he tackles a scenario where improper permissions can. Carefully managing files and system resources is critical during local development. That's doubly true while working with multiple images, containers, or resource constraints. There are scenarios where your containers bloat as their contents accumulate over time. Keeping your files tidy is one thing. However, you may also want to copy your files fr.

Debugging Integrated Container Desktop



Whether you're a DevOps engineer, full-stack developer, or system administrator, this comprehensive guide will help you master Docker container debugging using both Docker Desktop's ...



Debugging application issues inside a container often involves a bit of detective work—trying out commands, checking configurations, and closely examining error messages to ...



How to debug applications inside Docker containers? Many developers create and debug applications on their local or cloud PCs. Debugging in those environments is usually straightforward.



With Docker Debug, you can debug your images while they contain the bare minimum to run your application. It does this by letting you create and work with slim images or containers that are often ...



In the latest version of Docker Desktop a new command has been included call docker debug. Now this is only available with a Pro Docker licence but it's an interesting command so I ...



Debugging in Docker refers to the process of identifying and resolving issues within Docker containers or applications deployed using Docker. In this article, we explain how to debug in ...



Debugging Docker containers can be frustrating. Luckily, Docker provides several commands that make managing and troubleshooting containers easy. In this article, we'll walk you ...



Learn how to debug Docker containers locally with step-by-step techniques, essential tools, and best practices to troubleshoot issues quickly and ...



Imagine how much easier it would be for a junior container developer to learn the basics of debugging and troubleshooting a container from within Docker Desktop.



Docker Debug provides a language-independent, integrated toolbox for debugging local and remote containerized apps — even when the container fails to launch — enabling developers to ...



Learn how to debug Docker containers locally with step-by-step techniques, essential tools, and best practices to troubleshoot issues quickly and efficiently.

Contact Us

For more information, pricing, or custom solutions, please contact us:

Website: <https://indzawo.co.za>

Email: sales@indzawo.co.za

Phone: +27 71 296 8473

Address: 22 Quantum Street, Midrand, 1685, Gauteng, South Africa

This document is for informational purposes only. Specifications subject to change without notice.

