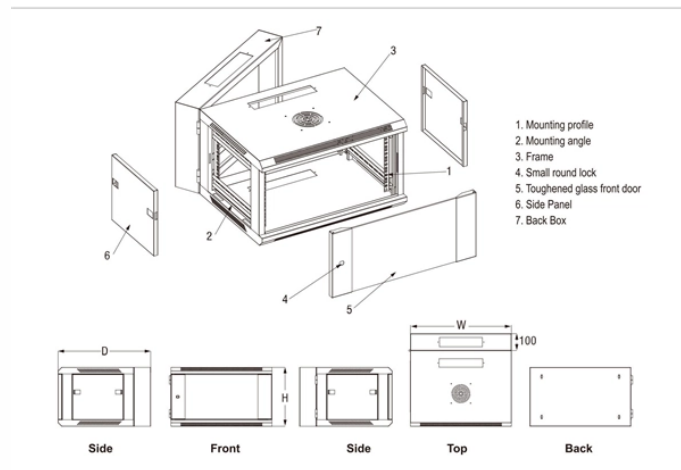


## Durable Cable Tray Punching Machine



## Durable Cable Tray Punching Machine



High-speed cable tray punching machine delivers precise holes for efficient cable tray production.



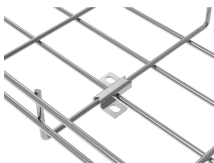
This guide walks through each core machine, how they fit into a typical production line, what specifications to evaluate, and how to match machine choices to the cable tray types and ...



Boost productivity with our heavy-duty cable tray punching machine, engineered for precision hole punching in cable tray fabrication. Ideal for electrical installations ...



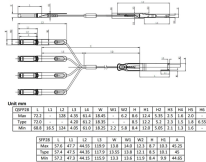
Utilizing advanced automation technology combined with precise punching, bending, and cutting processes, this machine efficiently completes the forming and processing of cable trays, meeting the ...



Our high-performance punching machine is ideal for various cable tray applications including installations, cable routing, and management systems. Its speed and precision make it valuable for ...



cable tray roll forming machine automates precise forming of steel cable trays, with customizable profiles, high-speed production, and durable components. Ideal for electrical construction and ...



High-efficiency cable tray punching machine with customizable feeding width, punching thickness and voltage. Remote video technical support ensures stable and reliable production.



It combines rolling, punching, cutting and forming in one, realizing full automation with consistent product quality. The machine is user-friendly, durable and highly adaptable to different specifications, ...



Equipped with durable rollers, robust frames, and reliable hydraulic units, the

## Contact Us

For more information, pricing, or custom solutions, please contact us:

Website: <https://indzawo.co.za>

Email: [sales@indzawo.co.za](mailto:sales@indzawo.co.za)

Phone: +27 71 296 8473

Address: 22 Quantum Street, Midrand, 1685, Gauteng, South Africa

This document is for informational purposes only. Specifications subject to change without notice.

