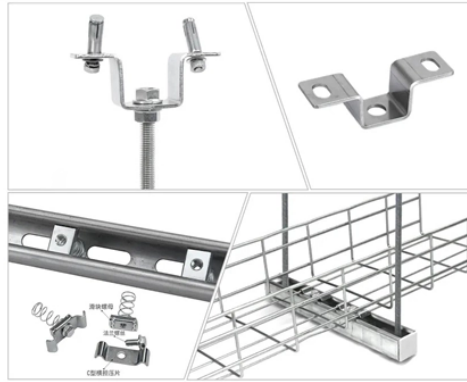


Indzawo Optic Connect

EPS integrated power supply for sale



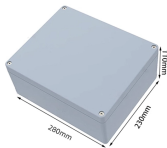
EPS integrated power supply for sale



Emergency Psychiatric Services (EPS) is the only 24-hour locked psychiatric emergency room, which provides emergency psychiatric care to residents of County of Santa Clara.



Earnings per share (EPS) measures a company's profit per share of common stock. Learn what EPS means, how to calculate it, and why it matters to investors.



This feature is often used when paralleling outputs to provide more power to an end device or to control multiple connected devices such as DC lighting circuits simultaneously.



Get the best deals on EPS Network Server Power Supplies and find everything you'll need to improve your home office setup at eBay . Fast & Free shipping on many items!



32 Port Intelligent Power Unit with optional integrated fiber optic splitter, ethernet, USB, and serial connections.



VAYALT DC 12V 50A 600W Switching Power Supply, 110V/220V AC to DC Converter, Universal Regulated Switching, 12V Power Supply for CCTV Camera System, 3D Printer, LED Strip, Computer ...



EPS, or "earnings per share" gives you an idea of how profitable a company is. It's a simple calculation, but there's more to understanding EPS than just the math.



Learn what EPS (Earnings Per Share) means, its formula, how to calculate it, and why it matters for investors. Explore key importance and limitations in detail.



We staff a 24/7 psychiatric emergency room (EPS), a seven-day per week mental health urgent care clinic, where walk-in crisis intervention is available, two inpatient units at the hospital, and a number ...



Shop for eps power supply at Best Buy. Find low everyday prices and buy online for delivery or in-store pick-up



Santa Clara Family Health Plan (SCFHP) knows that your mental health is an important part of your overall health. We are here to listen, answer questions, and help you find the support you ...



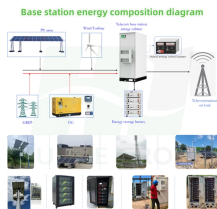
Earnings per share (EPS) measures the amount of profit earned per outstanding share of common stock in a specific period.



With EPS, you really can have it all. An industry leader in tax-related financial products, we pride ourselves on offering low-cost refund transfer programs, tax refund advances, and tax office loans, ...



Earnings per share (EPS) is a metric investors commonly use to value a stock or company because it indicates the profitability of a company on a per-share basis.



Using recent high-performance technology, the EPS provides improved efficiency over the previous version while minimizing EMI. The modular architecture allows the EPS to be tailored to the needs of ...



Search Newegg for eps power supply. Get fast shipping and top-rated customer service.



Powered by the industry's first flexible PoE+ integrated technology, you can increase or decrease the PoE budget by simply buying a new power supply, effectively futureproofing small business networks ...



The EPS130W-100NAS is a 130W external power supply designed to scale PoE budget on NETGEAR unmanaged Gigabit switches. Deploy this unit when your GS108 or GS116 switch needs to power ...



Get the best deals on EPS Computer Power Supplies and find everything you'll need to improve your home office setup at eBay . Fast & Free shipping on many items!

Contact Us

For more information, pricing, or custom solutions, please contact us:

Website: <https://indzawo.co.za>

Email: sales@indzawo.co.za

Phone: +27 71 296 8473

Address: 22 Quantum Street, Midrand, 1685, Gauteng, South Africa

This document is for informational purposes only. Specifications subject to change without notice.

