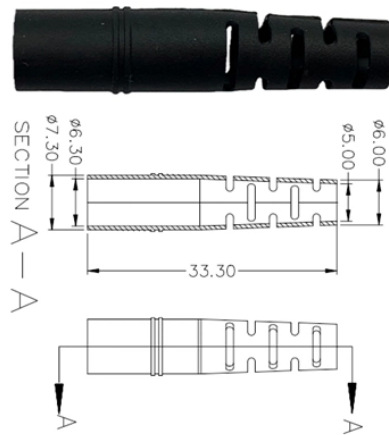


Explosion-proof aluminum alloy distribution box from Bangladesh



Explosion-proof aluminum alloy distribution box from Bangladesh



Discover efficient aluminum explosion proof distribution box solutions designed for optimal power distribution. Enhance your operations with reliable, durable equipment tailored to your needs.



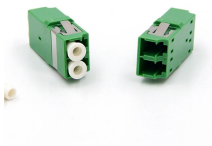
Explosion-proof Aluminum Alloy Junction Box
Instrument Control Power Distribution Equipment
Contact Now



Shell is made of high qualified steel plate or stainless steel plate welding forming, it is built-in many kinds of explosion-proof apparatus or their combination; eg : explosion-proof power (illumination) ...



Industrial explosion proof distribution box
aluminum alloy control equipment IP65



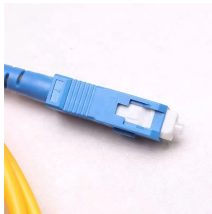
This distribution box's sturdy, explosion-proof casings, which are composed of corrosion-resistant materials like stainless steel or aluminum alloy, keep heat or sparks from inside from setting off the ...



Explosion-proof Power Distribution Panel MAMX-02 and MAMX-03 * In-built circuit breaker, AC Contactor, Thermorelay, PLC, Transducer, Soft starter and other components, The panel can install ...



Corporate Station Bangladesh is a reputable supplier of aluminum ...



Corporate Station Bangladesh is a reputable supplier of aluminum alloy explosion-proof terminal boxes in Bangladesh. They are well-known for providing certified, superior industrial safety solutions that ...



By means of measuring instruments, various parameters in operation can be displayed, and some electrical parameters can also be adjusted to prompt or send signals for deviations from the normal ...



Alloy Industry Co., Ltd. has continuously engaged in manufacturing and exporting business both domestically and internationally. And now is the leader in the explosion proof equipment market.



Designed for use in hazardous environments, our explosion-proof distribution boxes ensure optimal performance while safeguarding your electrical systems from potential explosions and environmental ...

Contact Us

For more information, pricing, or custom solutions, please contact us:

Website: <https://indzawo.co.za>

Email: sales@indzawo.co.za

Phone: +27 71 296 8473

Address: 22 Quantum Street, Midrand, 1685, Gauteng, South Africa

This document is for informational purposes only. Specifications subject to change without notice.

