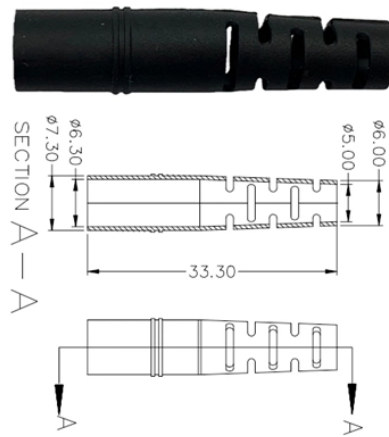


High-frequency trading optical cable



High-frequency trading optical cable



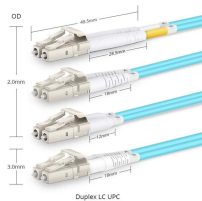
Our ultra-low latency transceivers and specialized optical modules are engineered specifically for high-frequency trading environments, where even minor latency variations can impact ...



The hollow-core optical fiber is protected by a cable designed for indoor/outdoor operation; it has been successfully deployed and is carrying live traffic in several high-frequency trading networks.



These high-frequency traders rely on getting information a fraction of a second before other traders see the same thing and take advantage of minuscule price differences to make money ...



Explore how ultra-low latency optical networks are transforming high-frequency trading. Learn how innovations like hollow-core fiber, advanced dispersion management, and optimized O ...



The Wall Street Journal reports that high-frequency traders (HFTs) are using hollow-core fiber in their networks to reduce latency. At least one fiber network services supplier to the HFT...



In 2015, Hibernia Networks (which was later acquired by GTT), together with TE Subcom, completed a 4,600-kilometer fiber-optic cable that followed a specially direct route between New York ...



Instead of connecting these two microwave network links through an FCC license, which might have alerted U.S. regulators, Defendants built or caused to be built a hidden optical fiber cable...



Discover why High-Frequency Trading firms can gain a competitive edge by choosing optical transceivers from ProLabs over OEMs for mission-critical reliability.



High-frequency traders are using an experimental type of cable to speed up their systems by billionths of a second, the latest move in a technological arms race to execute stock ...



Fiber optic solutions have become the backbone of modern financial markets, significantly reducing latency and increasing the speed of data transmission, which is vital for high ...

Contact Us

For more information, pricing, or custom solutions, please contact us:

Website: <https://indzawo.co.za>

Email: sales@indzawo.co.za

Phone: +27 71 296 8473

Address: 22 Quantum Street, Midrand, 1685, Gauteng, South Africa

This document is for informational purposes only. Specifications subject to change without notice.

