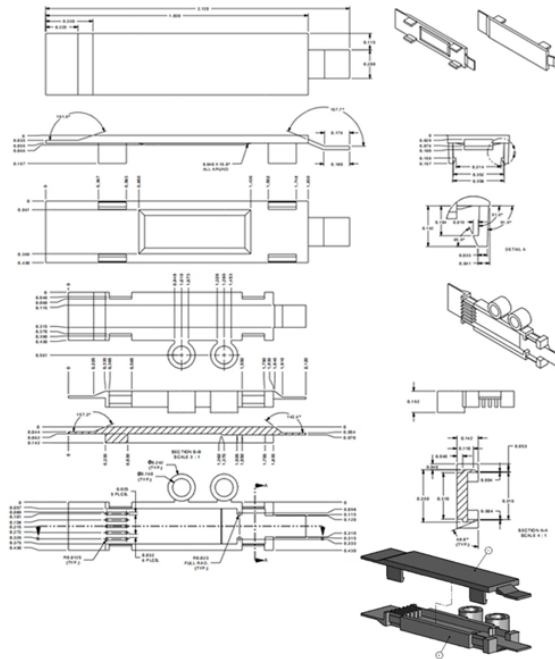


Luxembourg OPGW Fittings 8-Core Certification



Luxembourg OPGW Fittings 8-Core Certification



Also see our line of OPGW Fiber Optic Cable. © Copyright 2026 AFL. All Rights Reserved | Privacy Policy | Sitemap.



Hardware Fittings GL FIBER Supply A Full Range of Hardware Fittings and Accessories For ADSS & OPGW Fiber Optic Cable.



OPGW is mainly applied in communication line of newly constructed high voltage transmit electricity system with 35 KV or above, or replacement of existing ground wire of previous overhead high ...



OPGW hardware and accessories are specified for the installation and efficiency of individual power line infrastructure requirements. Hardware and accessories are specified according to the tower and ...



A series of Optical Ground Wire fittings contributes toward connection, protection and stabilisation of power transmission lines. Learn more about them here.



Our RIBE-OPTOFIT® accessories offer the ideal solution for connecting fiber optic overhead cables and terminating the optical signal, and perfectly complement proven RIBE-OPTOFIT® fittings.



The OPGW Hardware Fittings are instrument used for surge protection of communication and transmission lines. It replaces the earlier PLCC (using waves as the transport medium) with an ...



To ensure that the OPGW cables will operate successfully in a high-voltage network, all aspects associated with the implementation of the technology must be correctly analysed.

Contact Us

For more information, pricing, or custom solutions, please contact us:

Website: <https://indzawo.co.za>

Email: sales@indzawo.co.za

Phone: +27 71 296 8473

Address: 22 Quantum Street, Midrand, 1685, Gauteng, South Africa

This document is for informational purposes only. Specifications subject to change without notice.

