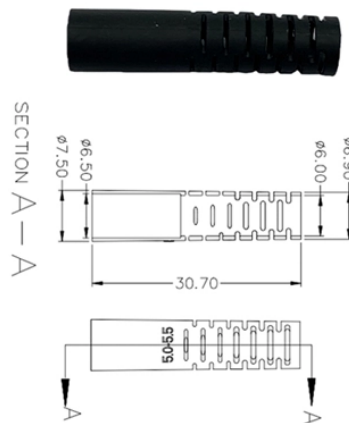


# Price of 1310nm Anti-Certification Optical Cable for Smart Buildings in Chile



## Overview

View datasheets, pricing and availability from DigiKey now!View datasheets, pricing and availability from DigiKey now!The structure of the optical cable is to use a flat stainless steel strip armor to wrap the tightly sheathed optical fiber with a diameter of 900  $\mu\text{m}$  or 600  $\mu\text{m}$  inside, and evenly place multiple strands of aramid outside the armor layer for reinforcement, and then extrude an LSZH (or PVC). This armored fiber optic patch cable features SC APC connectors with ceramic ferrules and metal armor protection. Designed for demanding industrial and telecommunications applications, it provides superior protection against rodent damage, moisture, and physical stress. Armored fiber optic cables. The durable 2ZR6AA-10- 10' Multimode Duplex Fiber Optic Cable with ST-ST connectors help add fiber capability to industrial applications. 10 feet in length, diameter of 62. 5/125, wavelength of 1310nm, and maximum insertion loss of 0. 200 $\mu\text{m}$  or 250 $\mu\text{m}$  Bare Fibers, are positioned into a loose tube made of high modulus plastics. The tubes are filled with a. 02315233 - Genuine Huawei SFP-FE-SX-MM1310 Optical Transceiver, SFP,

100M/155M, Multi-mode Module (1310nm, 2km, LC)Basic InformationModule  
name: SFP-FE-SX-MM1310Part Number: 02315233Model: SFP-FE-SX-  
MM1310Form factor: SFPApplication standard: 100BASE.

## Price of 1310nm Anti-Certification Optical Cable for Smart Buildings



We are aggressively participating in developing, manufacturing and selling all kinds of optical transceivers, DAC cables, and AOC cables. By our strategic positioning, we are capable of offering ...



Buy Genuine Huawei Optical Modules and Cables from GenuineModules with best price and fast worldwide shipping.



SFP-1310NM-1000BASE-LX-C - Transceiver Module Networking, General Purpose 1000Mbps 1310nm 3.3V LC Duplex Pluggable, SFP from ATGBICS. View datasheets, pricing and availability from ...



The low Insertion Loss, PDL, PMD and Polarization Sensitivity make it perfect for use in CATV Links, MDM Systems, Lab R & D and with Fiber Instruments. Our cables include a detailed Test Report and ...



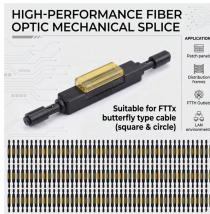
High-performance SC APC armored fiber optic patch cable with ceramic ferrule, 1310nm wavelength, and anti-rat protection for FTTH networks.



The durable 2ZR6AA-10- 10" Multimode Duplex Fiber Optic Cable with ST-ST connectors help add fiber capability to industrial applications. 10 feet in length, diameter of 62.5/125, wavelength of 1310nm, ...



All Dielectric Self-Supporting Fiber Optic Cable ADSS is loose tube stranded. 200um or 250um Bare Fibers, are positioned into a loose tube made of high modulus plastics.



This optical cable has the advantages of small bending radius, light weight, high flexibility, flexibility and convenience, and has good mechanical and environmental performance.



Explore STL's online platform, buy advanced optical fiber & data center solutions online. Get expert assistance, quick enquiries & reliable connectivity products.

## Contact Us

For more information, pricing, or custom solutions, please contact us:

Website: <https://indzawo.co.za>

Email: [sales@indzawo.co.za](mailto:sales@indzawo.co.za)

Phone: +27 71 296 8473

Address: 22 Quantum Street, Midrand, 1685, Gauteng, South Africa

This document is for informational purposes only. Specifications subject to change without notice.

