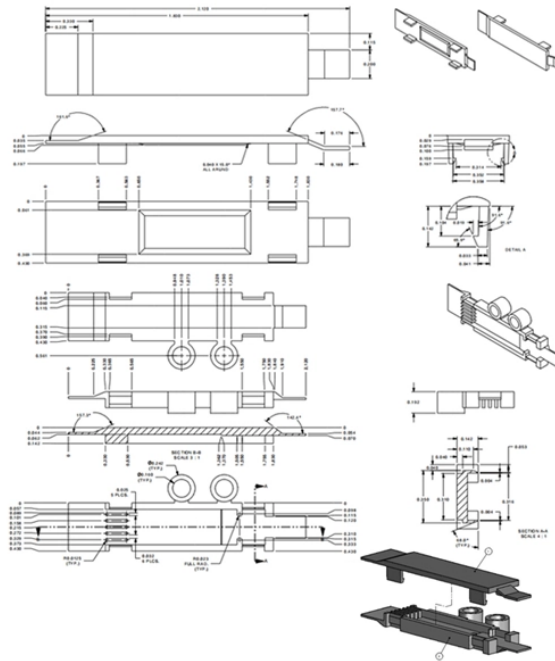


S-type intelligent copper patch panel



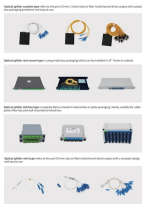
S-type intelligent copper patch panel



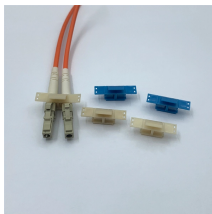
CommScope offers Intelligent Copper Panels for automated infrastructure management solutions that enable you to monitor, manage and optimize your network connectivity in real time



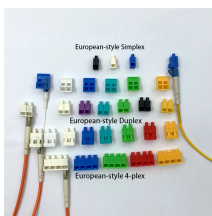
PANEL KIT CONTENTS ... “Leviton is dedicated to designing, developing, and manufacturing sustainable high-performance structured cabling and speciality cabling solutions.”



The MapIT G2 Smart Patch Panel (SPP) is an industry first in intelligent infrastructure management. The panel features on-board intelligence and a combination of LEDs and a backlit LCD to guide ...



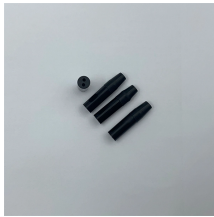
This patch panel design provides a clean look, with pre-numbered ports and additional write on area. The various port, style and color options make it ideal for multimedia applications.



The 10G+ Cat.6A STP 24 Port Patch Panel delivers excellent headroom beyond 500MHz. Its robust die cast housing and fully shielded design optimizes shield effectiveness protection from EMI and alien ...



The MapIT G2 Smart Copper Patch Panels (SPP) are an industry first in intelligent infrastructure management. The panel features on board intelligence and a combination of LEDs and a backlit LCD ...



This complete & intelligent-ready physical layer management system uses RFID technology for wireless detection of individual patch cords & real-time monitoring of unintended physical changes in network ...



SimpleWin™ 24Ports Intelligent Empty Panel for Cat.6 or Cat.6A (tipo horizontal) It is available for quick installation cabling by automatic cutting wire tool of individual modular jack.



Key features include: Plug-and-play simplicity: Even complex, high-density copper networks benefit from these panels. High-performing patching and termination options: Ideal for various applications. Real ...



Built on traditional copper patch architectures, it incorporates sensors and microprocessors to collect real-time data on port connectivity and signal transmission quality, uploading the information to a ...



Intelligent Patching Infinique's Intelligent Patch Panel Solution for Copper and Fiber Structured Cabling System.

Contact Us

For more information, pricing, or custom solutions, please contact us:

Website: <https://indzawo.co.za>

Email: sales@indzawo.co.za

Phone: +27 71 296 8473

Address: 22 Quantum Street, Midrand, 1685, Gauteng, South Africa

This document is for informational purposes only. Specifications subject to change without notice.

