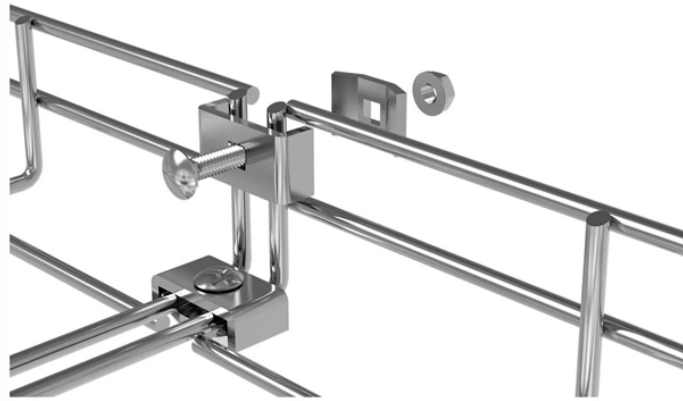


Smart Meter for Low-Voltage Distribution Cabinet



Smart Meter for Low-Voltage Distribution Cabinet



Learn how we've joined forces with Siemens Energy to fast-track data center construction and reduce deployment timelines by up to two years. Eaton's enclosed energy meters provide a ...



Ensto Arrow_right Products Arrow_right Low voltage distribution and automation Arrow_right Distribution cabinets and panelboards Arrow_right Metering Enclosures



Intelligent measurement systems, consisting of a digital electricity meter (modern metering device) and a smart meter gateway, enable accurate recording of electricity consumption in real time.



ABB smart solutions for metering and monitoring are flexible and grant a 7% improvement in energy efficiency, ensuring access to LEED Certifications and allowing a payback time of less than 3 years.



Power and energy meters and software for power monitoring and energy management. View power and energy data to improve energy efficiency, power availability and reliability.



From reliable measuring and communication-capable protection, switching, and measuring devices to powerful power and condition monitoring software, SENTRON products deliver reliability, efficiency, ...



Tengen is a leading global manufacturer of low-voltage distribution and industrial control electrical appliances, intelligent instruments, power supply electrical appliances, frequency converters, high ...



The installation of GE Vernova's Multilin Meter Enclosure provides customers with a simple, easy to install solution that adds advanced metering capabilities while minimizing system downtime. The ...



Designed to accommodate complex industrial needs, this low-voltage control cabinet features an inlet cabinet, a multi-function power meter, and various accessories, ensuring optimal performance and ...



Low-voltage switchgear is the core equipment of the low-voltage power distribution system, responsible for the distribution, control, protection, and monitoring of low-voltage power (typically referring to AC ...

Contact Us

For more information, pricing, or custom solutions, please contact us:

Website: <https://indzawo.co.za>

Email: sales@indzawo.co.za

Phone: +27 71 296 8473

Address: 22 Quantum Street, Midrand, 1685, Gauteng, South Africa

This document is for informational purposes only. Specifications subject to change without notice.

