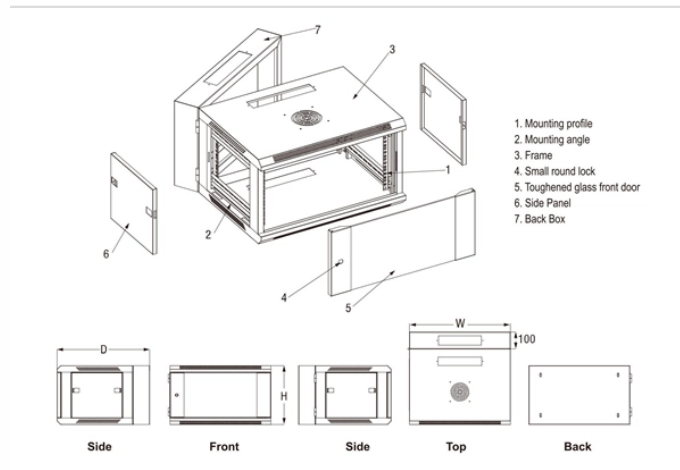


## Tajikistan Low-Power Optical Module High-Precision Overseas Warehouse



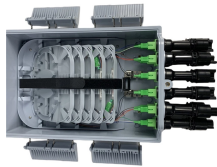
## Tajikistan Low-Power Optical Module High-Precision Overseas Ware



Cons: The DSP is power-hungry, consuming up to 50% of the total power budget of the optical module. As speeds increase to 1.6T, the power ...



Low-Voltage Silicon Photonic Micro-Ring Modulator Design and Stabilization presents the research progress in high-performance silicon photonic micro-ring modulators, and discusses how to meet the ...



6Wresearch actively monitors the Tajikistan Optical Transceivers Market and publishes its comprehensive annual report, highlighting emerging trends, growth drivers, revenue analysis, and ...



Step into the future of passive optical networking with Precision OT. Meet OpenPath, the groundbreaking, end-to-end PON access solution crafted by our team of experts.



These initiatives aim to transform Tajikistan from a primarily agricultural economy into a digital and service-based one, with goals including nationwide broadband coverage, 5G rollout, e ...



At the same time, co-packaged optics (CPO) modules allow tight integration of chips with optical links for ultra-wide bandwidth switches and high-performance computing (HPC). The papers in this session ...



Tajikistan continues to face external risks from geopolitical and trade tensions. While structural reforms are advancing, domestic risks, including loss-making state-owned enterprises, European Union ...



The current trade value is a solid color and the our predicted value is on a lined box, showing by default the top 3 countries which has the most potential exports, and the key markets where Tajikistan can ...



This transceiver module, compliant with MSA SFP+ specifications, uses a single-mode fiber (SMF) with a wavelength of 1550nm. With a maximum reach of 100km, it is ideal for long-distance applications.



Cons: The DSP is power-hungry, consuming up to 50% of the total power budget of the optical module. As speeds increase to 1.6T, the power density creates significant thermal ...



In this tutorial, we discuss the evolution of the technology deployed for optical interconnects and the trade-offs in the design of low complexity, low power DSP and implementation ...

## Contact Us

For more information, pricing, or custom solutions, please contact us:

Website: <https://indzawo.co.za>

Email: [sales@indzawo.co.za](mailto:sales@indzawo.co.za)

Phone: +27 71 296 8473

Address: 22 Quantum Street, Midrand, 1685, Gauteng, South Africa

This document is for informational purposes only. Specifications subject to change without notice.

