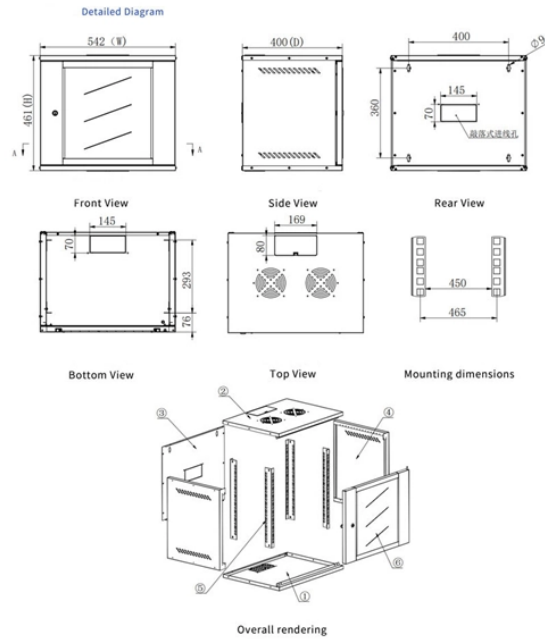


## Thailand Xunte Communication Optical Module



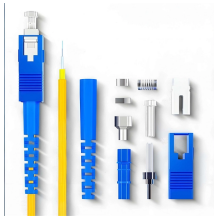
## Thailand Xunte Communication Optical Module



In its optical communication business, it developed FAU fiber array units for CPO and is advancing customer validation. On August 7, 2025, it terminated the purchase of 100% shares of Xunte ...



Through perfect R & D process management, promote technology and product upgrading, lay the foundation for the introduction of high-performance, low-cost and high-speed optical module ...



We can provide sales of a large number of new or used transmission equipment, servers, communication power systems, routers, base station equipment, switches, SFPs, storage devices, ...



As a professional provider of high-end optical module products and solutions, Xunte communications has been widely used in optical fiber communication systems such as telecom carrier networks, data ...



The Thailand Optical Transceiver Market has experienced significant changes due to the COVID-19 pandemic, reshaping the demand for high-speed optical communication modules in data centers and ...



Explore the top optical transceiver manufacturers and their market share. Stay informed about revenue figures and the latest developments in the industry.



Noteworthy Thailand Optical Transceiver Module suppliers, such as CISCO SYSTEMS INC, NVIDIA SINGAPORE PTE LTD, SHUNYUN TECHNOLOGY HOLDINGS LTD., are included in this ...



Volza allows you to find genuine Optical module suppliers & exporters in Thailand, basis of actual export import shipments collected globally from over 20,000 ports from over 70+ Countries.



As a high-tech enterprise, Xunte communication always adheres to high-intensity R & D investment and practical innovation. It has more than 200 patents, covering many technical fields such as ...



With its strong market leading ability and technological innovation ability, Xunte communication 25g wavelength division optical module stands out among many products, has been unanimously ...

## Contact Us

For more information, pricing, or custom solutions, please contact us:

Website: <https://indzawo.co.za>

Email: [sales@indzawo.co.za](mailto:sales@indzawo.co.za)

Phone: +27 71 296 8473

Address: 22 Quantum Street, Midrand, 1685, Gauteng, South Africa

This document is for informational purposes only. Specifications subject to change without notice.

