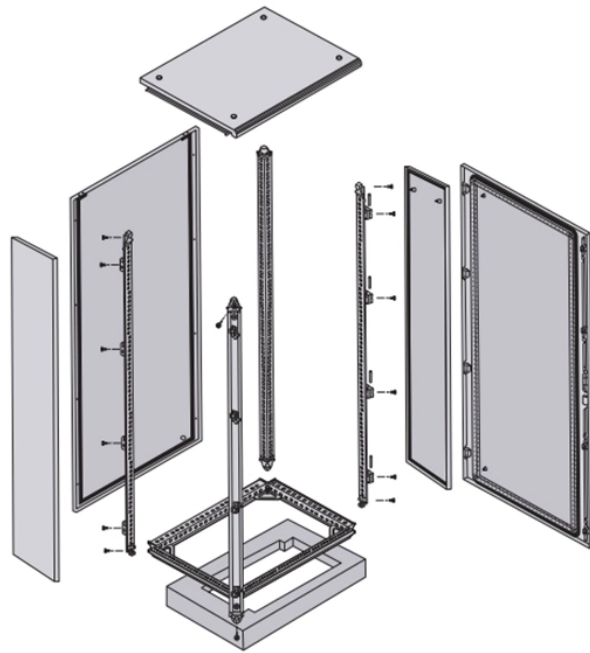


# **Western European High Voltage Small Busbar Custom Manufacturer**



## Western European High Voltage Small Busbar Custom Manufacturer



Using our CNC fabrication line, we're able to produce custom busbar sub-assemblies in small batches or one-offs, supporting client innovation cycles. Our engineering teams work directly with OEMs and ...



CONNEX GMBH is an expert in technical preparation (design/engineering) as well as in the manufacturing of all kind of Bus bar Systems and Current Conducting Tube Systems. We offer ...



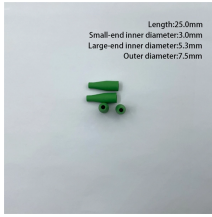
Welcome to the future of busbar manufacturing - where precision meets innovation! As one of Europe's largest busbar processors, we offer our customers first-class solutions made of copper, aluminum, ...



We work collaboratively with OEMs, R& D teams and prototype engineers, ensuring every busbar meets the exact performance and safety standards required for high-voltage environments.



We manufacture custom busbars for the high-end automotive sector and motorsport teams for Formula 1 and Formula E power trains. We deliver to the high specifications and tight deadlines that Engineers ...



High volume busbar production: employing craft precision. One of the signature products developed by Intercable Automotive Solutions are our custom made high-voltage busbars manufactured to client ...



Do you quickly need a busbar prototype or a small series made of copper, aluminium or CoppAl®? Whether for switchgear, control cabinets or other applications, we manufacture and supply solid ...



We flexibly manufacture suitable & safe busbars for your switchgear made of copper or aluminium. In addition to the realisation of complex shapes, we also take on the assembly work of the DC link rails. ...



Each busbar undergoes rigorous testing to meet the highest safety and quality standards. The component shown here illustrates our commitment to precision, attention to detail, and technical ...



We engineer and manufacture Customized High Current Busbars Solutions made of Copper, Cuponal and Aluminum - made in Germany and Poland.

## Contact Us

For more information, pricing, or custom solutions, please contact us:

Website: <https://indzawo.co.za>

Email: [sales@indzawo.co.za](mailto:sales@indzawo.co.za)

Phone: +27 71 296 8473

Address: 22 Quantum Street, Midrand, 1685, Gauteng, South Africa

This document is for informational purposes only. Specifications subject to change without notice.

