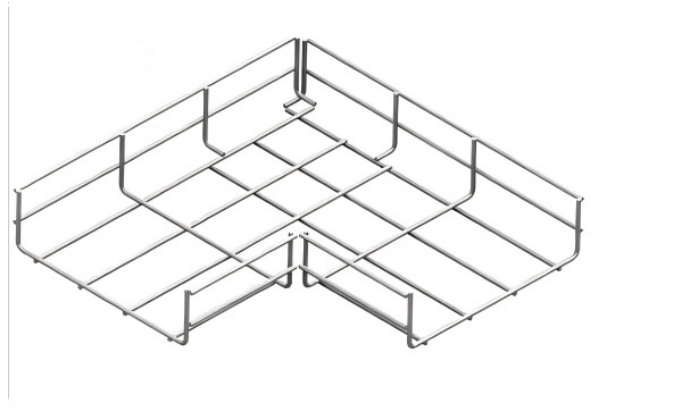


What does a network server rack represent



Overview

A Server Rack is a specialized metal frame designed to hold, organize, and secure IT equipment. Unlike a standard shelf, a server rack is built to a strict industry standard (EIA-310-D). What is a Server Rack?

The Ultimate Guide to Sizes (U) & Types (2026) What Is A Server Rack?

The Ultimate Guide To Sizes, Types, & Setup (2026) If you are setting up a server room, a data center, or even a small office network, everything starts with one physical foundation: The Server Rack. While server racks are engineered to support mission-critical, heat-intensive computing environments, network racks prioritize cable routing, switch management, and patch panel accessibility. This system streamlines operations, making it a staple in data centers and server rooms. It provides efficient cable management, air flow and physical protection for sensitive electronic devices. This complete guide explains everything you need to know from definitions and types to. Discover the essential equipment, parts, and accessories to include in your server rack for optimal performance, airflow, and organization.



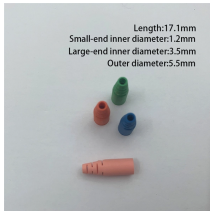
Network Server Racks: While server racks are made with idea of installing various types of server and network equipment, Network racks are specially designed enclosures used to house networking ...



A rack server is a server that is designed to be installed in a server rack - as opposed to other types of servers, like tower servers, which, similarly to a PC, can be deployed without requiring ...



Server racks are more than IT equipment “containers”—they are the backbone of high-density, reliable, and sustainable data centers. By combining standardized design with intelligent ...



What is a Server Rack? A Server Rack is a specialized metal frame designed to hold, organize, and secure IT equipment. This includes servers, routers, switches, and patch panels. Unlike a standard ...



Learn what a server rack is, how it organizes IT equipment, and why it's essential for optimizing space, airflow, and efficiency in data centers.



What is a Server Rack? A Server Rack is a specialized metal frame designed to hold, organize, and secure IT equipment. This includes servers, routers, ...



A data center rack is a standardized frame structure designed to securely house IT equipment such as servers, switches, storage systems, and power distribution units.

Contact Us

For more information, pricing, or custom solutions, please contact us:

Website: <https://indzawo.co.za>

Email: sales@indzawo.co.za

Phone: +27 71 296 8473

Address: 22 Quantum Street, Midrand, 1685, Gauteng, South Africa

This document is for informational purposes only. Specifications subject to change without notice.

