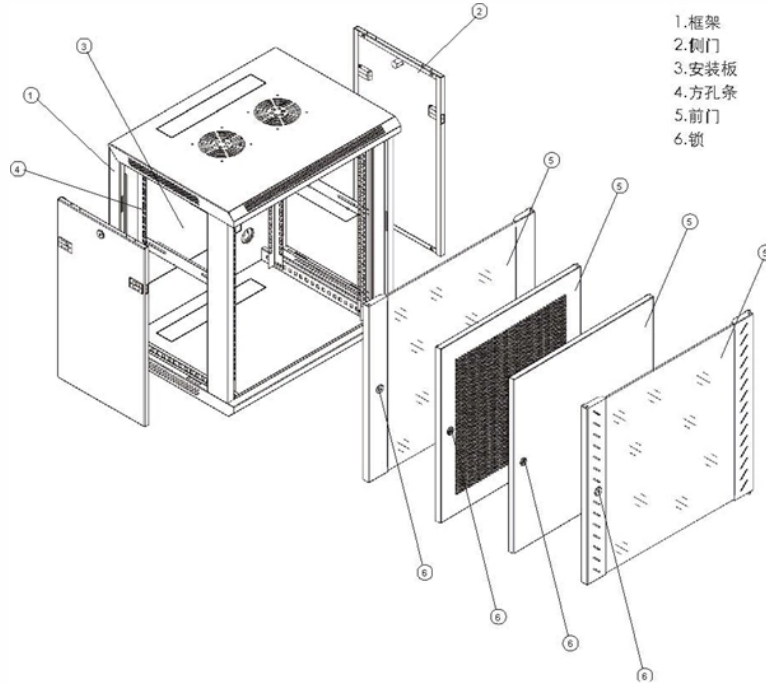


Zimbabwe Steel Fireproof Cable Tray Manufacturer



Zimbabwe Steel Fireproof Cable Tray Manufacturer



Established in 2008, Steel Centre is a well-respected name in Zimbabwe's steel industry, known for consistently delivering high-quality steel products that meet demanding project standards.



Enfeld Zimbabwe (Private) Limited is a wholly owned Zimbabwean indigenous company with a history of over 89 years of supplying both ...



Thanks to innovation and improved technology, we have evolved into a one-stop shop for Cable Tray manufacturers. Our highly educated expert closely monitors every aspect of manufacturing and ...



We are a one-stop shop for top-notch Electrical Cable Tray in Zimbabwe. Our cable trays are manufactured from robust materials and rigorously tested to ensure they can withstand even the ...



As one of the noteworthy Electrical Cable Tray Exporters and Suppliers in Zimbabwe, we are right here to serve you as promised. Give our experts a call or drop your enquiry to know more.



Measuring 225mm wide and 2.4m long, this cable tray is perfect for applications where space is limited but cable management is essential. Constructed from durable steel, this cable tray is built to ...



Enfeld Zimbabwe (Private) Limited is a wholly owned Zimbabwean indigenous company with a history of over 89 years of supplying both domestic and industrial power cables, electrical equipment as well as ...



Our clients from any nook and corner of the world can contact us to buy Crimping Tools, Cable Glands & Cable Ties in Zimbabwe, as we have our presence in different places to meet that.



CONTACT +263 71 499 5478 +263 8677 00 74 52
info@canlink .zw OFFICE G7 GROUND FLOOR,
ZIMDEF HEADQUARTERS, 18572 OFF MOTHER
PATRICKAVENUE, ROTTEN ROW, Harare, ...



Zibo Baishun is a material supplier that has long been committed to high-quality services in the cable tray engineering industry.

Contact Us

For more information, pricing, or custom solutions, please contact us:

Website: <https://indzawo.co.za>

Email: sales@indzawo.co.za

Phone: +27 71 296 8473

Address: 22 Quantum Street, Midrand, 1685, Gauteng, South Africa

This document is for informational purposes only. Specifications subject to change without notice.

